

DOLLE BD30



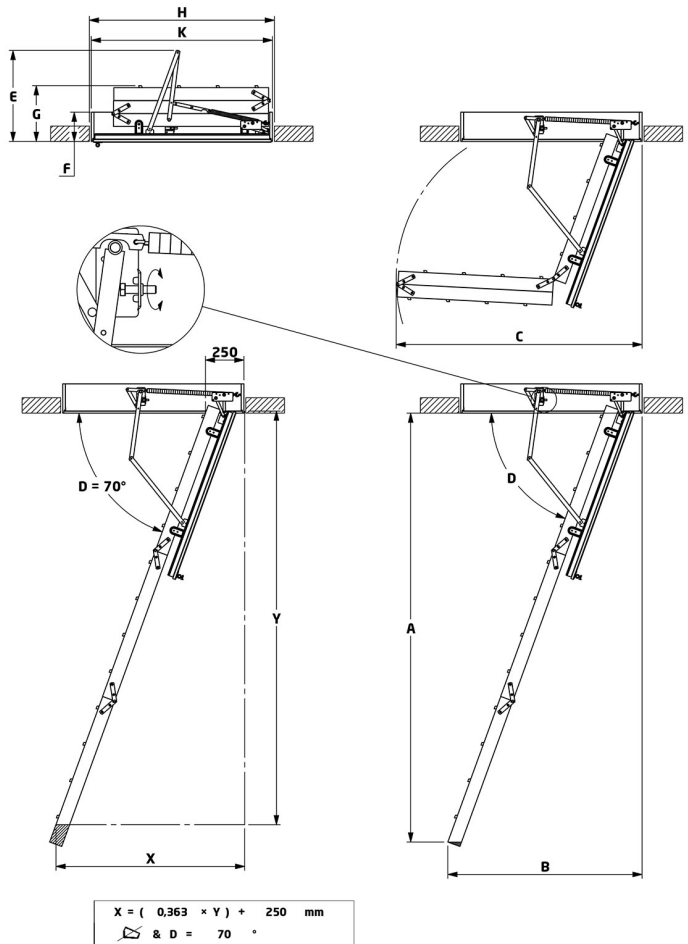
FIRERESISTANT ATTIC LADDER. 115X55

Dolle F30 (BD 30) is fire tested from above and from below according to DIN EN 4102-2:1977-09 with a fire resistance of 30 minutes. The trapdoor is insulated with 50 mm rockwool. The F30 attic ladder is delivered with a latch lock for easy and safe operation together with the wooden push/pull rod. The attic ladder has a nice finish with white faced trapdoor and whitepainted wooden architraves. The F30 attic ladder has non-slip treads and plastic feet for extra security. The F30 attic ladders is delivered with a draught excluder which reduces the loss of heat.

PRODUCTDATA

PRODUCTNAME	Dolle BD30
TYPE	3-section
MATERIAL	wood
PRODUCT-NO.	10544
FLOORHEIGHT	Max. 288 cm
OUTLET IN CM	136 cm
MAX. SWING CLEARANCE CM	162,5 cm
NUMBER OF TREADS	12
OPENING SIZE	115x55 cm
INSULATION	50 mm
MATERIAL (CASING)	Blockboard
THICKNESS (CASING)	18 mm
HEIGHT (CASING)	190 mm
OUTSIDE CASING	113x54 cm
MATERIAL (TRAPDOOR)	white HDF 2 x 3
INSULATION (TRAPDOOR)	50 mm
THICKNESS (TRAPDOOR)	56 mm
THICKNESS (TREADS)	18 mm
DEPTH (TREADS)	83 mm
WIDTH (TREADS)	400 mm
RISE (TREADS)	250 mm
MATERIAL (TREADS)	beech
MATERIAL (STRING)	pine
THICKNESS (STRING)	21 mm
DEPTH (STRING)	83 mm
MAX. HEIGHT CLOSED STAIR	36,7 cm
MAX. HEIGHT ARM, CLOSED STAIR CM	59,2 cm
MAX. USERWEIGHT	Tested by EN14975 up to 265 kg, work weight 150 kg
U-VALUE	0,96 testet
TEST	IFT Rosenheim EN12207 Class 4

MEASUREMENTS



Treads	Rise	A	A*	B	C	D	E	F	G	Model	H	K
		mm	mm	mm	mm	°	mm	mm	mm			
12	4-4-4	2739	2772	1355	1624	68	590	190	361	10544	1155 × 560	1130 × 540
		2780	2812	1260	1594	70				10565	1200 × 600	1175 × 576
		2818	2848	1163	1564	72				10575	1200 × 700	1175 × 676
		2852	2882	1065	1533	74				10576	1300 × 700	1275 × 676
										10577	1400 × 700	1375 × 676

10565_M / 26-04-2016 Rev:27-04-2016