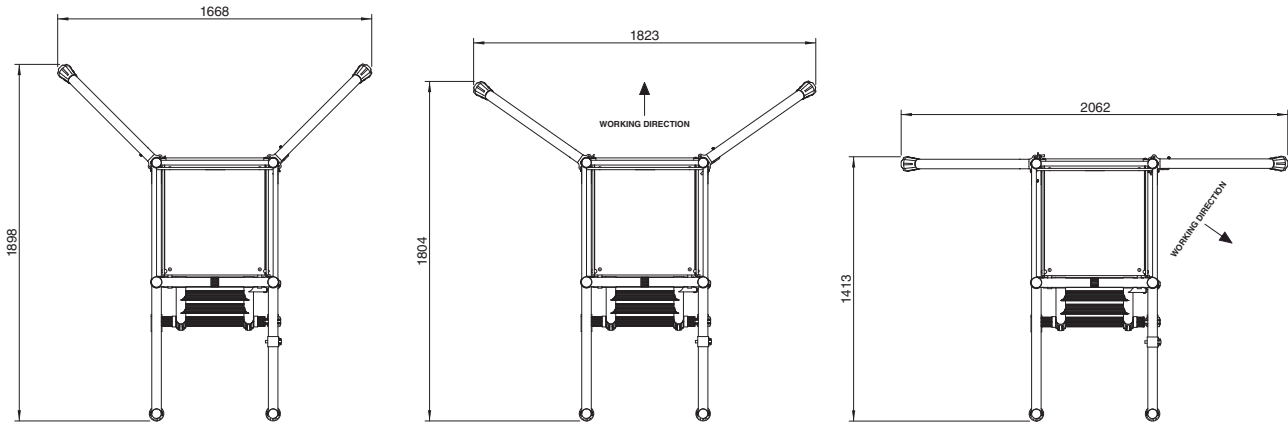


BOSS[®] pod TECHNICAL SPECIFICATION

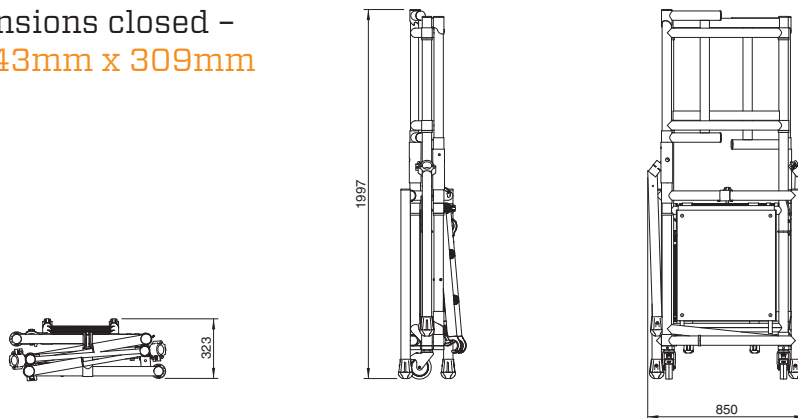
Product codes: **PODIUM UNIT: 31051000** **TOE BOARD KIT: 31000900**

A: Footprint dimensions with stabilisers located - **SEE DIAGRAM BELOW**

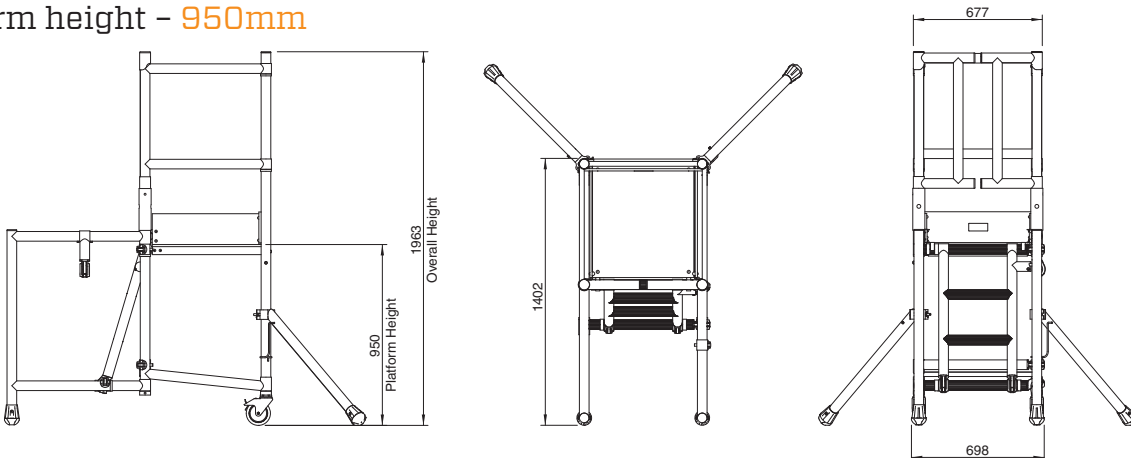


B: Platform dimensions - **541mm x 561mm**

C: Overall dimensions closed - **1997mm x 843mm x 309mm**



D: Overall dimensions opened - **1960mm x 698mm x 1402mm**
Platform height - **950mm**



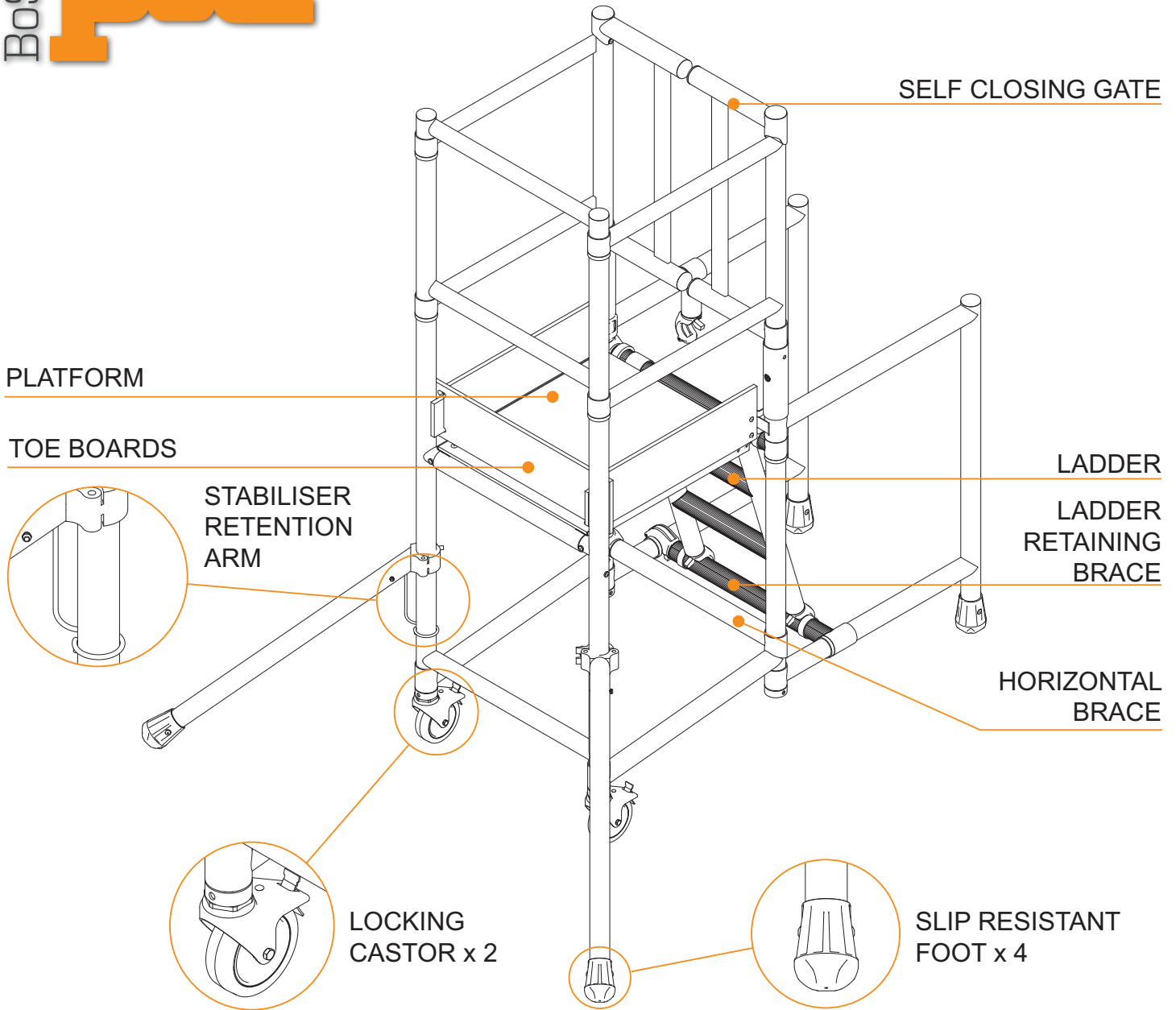
Maximum Safe Working Height*: **2.95m**

Maximum Safe Working Load: **150kg**

Weight: **32kg**

* Safe working height (SWH) based on maximum height plus 2.0m above the platform. Greater working heights are possible (E.g. when working overhead on ceilings, but you should never over reach)

- All castors must be locked in position, facing outwards as shown, before using the workstation
- Never apply forces greater than 10kg sideways or 20kg when facing forwards



Material	Where Used
Aluminium Tube - Ø50.8mm	Structural Frame, Ladder, Gate, Stabiliser
Aluminium Tube - Ø 57mm	Structural Frame, Ladder, Gate
Aluminium Tube - Ø 50.8mm Half Round	Structural Frame, Gate
Aluminium Tube - Ø 63.5mm	Gate
Aluminium Sections	Platform Frame, Stabiliser Coupler
Aluminium Castings	Claws
Aluminium	Rivets
Steel	Castor Body, Stabiliser Retention Arm, Rivets, Toe Board Bracket
Polymer	End Plugs, Spacers, Castor Wheel Inner, Castor Tyre, Feet
Wisa Birch Plywood	Platform Board, Toe Boards

For product information contact 01621 745900
or email uk.customercare@wernerco.com